

Plunger Pumps

FEATURING

MANIFOLD: High strength forged brass for long term use.

BOLTS: Six 6mm grade 12.9.

PLUNGERS: A special thick solid ceramic for long life, strong durability and more resilience.

CRANKCASE: Precision die-cast, large cooling fins and anodized for maximum heat dissipation. Sight glass, fill and drain plugs.

BEARINGS: Oversized for maximum life and load disbursement, two ball bearings. Each bearing is held in position on the crankshaft and crankcase by snap rings. This assures positive alignment and centering of the connecting rods and crankshaft in relation to the crankcase, it also eliminates the crankshaft from floating.

VALVES, SEATS, AND SPRINGS: Stainless steel with specially designed Ultra Form material valve cages that are impervious to water absorption and provide long life and positive seating.

SEALS AND V-PACKINGS: Continuously lubricating for extended life.

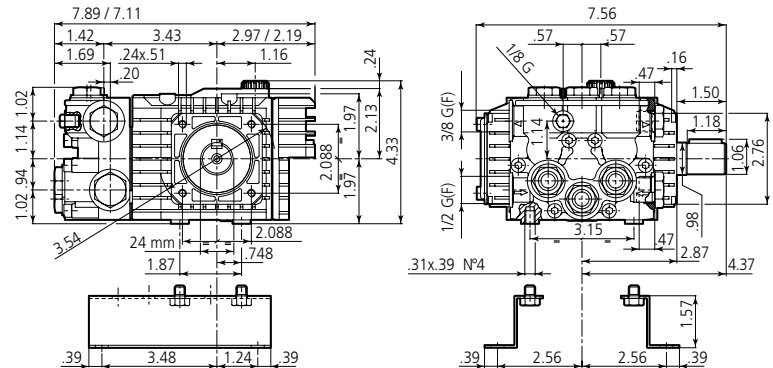
PLUNGER RODS: High strength stainless steel.

CONNECTING RODS: One piece special alloy aluminum based and bronze (+1800 PSI) oversized for maximum strength, load disbursement, and long life. Heavy pin area construction, for added load strength.

DIMENSIONS



XTA N version Solid shaft pump ø 24 mm



SPECIFICATIONS

MODEL	MAX GPM	MAX LMP	MAX PSI	MAX BAR	POWER EBHP	BORE DIA MM	STROKE MM	CRANKSHAFT ID STAMP	WEIGHT LBS.
XTA2G15N	2.11	8.0	1450	100	2.0	15	9.6	5	8.5
XTA2G15NBA	2.11	8.0	2000	140	3.0	15	9.6	5	10
XTA2G20N	2.11	8.0	2000	140	3.0	15	9.6	5	11
XTA2G22N	2.11	8.0	2200	150	3.0	15	9.6	5	11
XTA3G10N	3.0	11.4	1000	69	2.0	18	9.6	5	8.5
XTA3G16N	3.0	11.4	1600	110	3.0	18	9.6	5	10
XTA3G19N	3.0	11.4	1900	130	4.0	18	9.6	5	11
XTA3G22N	3.0	11.4	2200	150	4.5	18	9.6	5	11

PSI ≤ 1740 = Oil Capacity = 8 oz Maximum Fluid Temperature = 140° F Inlet Thread = 1/2" F Discharge Thread = 3/8" F
 PSI ≥ 1740 = Oil Capacity = 10 oz Maximum Fluid Temperature = 140° F Inlet Thread = 1/2" F Discharge Thread = 3/8" F

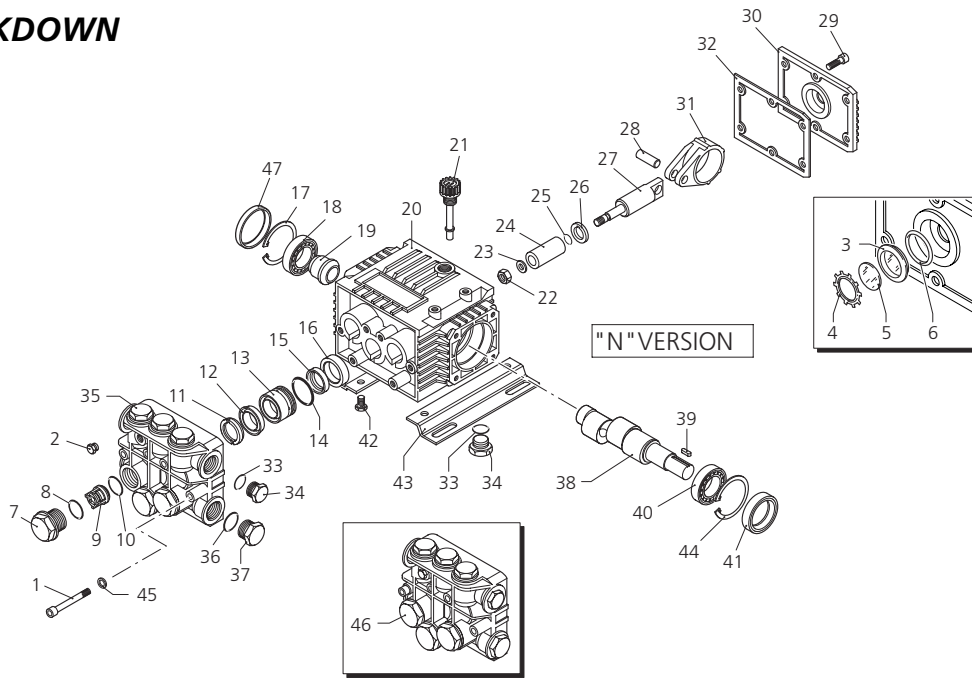
Torque Specifications Inch pounds (ft. lbs)

	HEAD	PISTON NUT	REAR COVER	SIDE COVER	VALVE CAP	CON RODS
PSI ≤ 1740	89 (7.5)	106 (8.8)	48 (4.0)	N/A	300 (25)	N/A
PSI ≥ 1740	137 (11)	106 (8.8)	48 (4.0)	N/A	300 (25)	N/A

SPECIAL NOTE: Use AR64516 Oil. First change oil after 50 hours of use. Then every 500 hours. This oil is specially formulated to provide correct lubrication properties for our pumps. **No** other oil is factory approved for these pumps.



PARTS BREAKDOWN



Pos.	Code	Description	Qty.	Pos.	Code	Description	Qty.	Legend			
1	680570	Screw *	6	32	1260040	Gasket	1	∅ 15	∅ 18	∅ 18	∅ 18
	1322730	Screw **	6	33	740290	O-Ring	2	For ○	For □	For ▼	For ◆
2	620301	Plug	1	34	1980740	Plug 3/8" G Brass	2	XTA2G15 *	XTA3G16 *	XTA3.5G13 *	XTA4G10 *
3	1260250	Oil indicator	1	35	1260021	Pump head	○ 1				XTA4G15 *
4	1260430	Snap ring	1		1320022	Pump head	● 1	For ●	For ■	For ▲	
5	1780690	Disc	1		1262226	Pump head	□▼ 1	XTA2G20 *	XTA3G19 *	XTA3.5G17 *	
6	1140450	O-Ring	1		1320020	Pump head	■▲ 1	XTA2G22 **	XTA3G22 **		
7	1260162	Plug	6		1262220	Pump head	◆ 1				
8	1260161	Plug w 1/8" outlet	6	36	180101	O-Ring	1				
9	960160	O-Ring	6	37	820361	Plug 1/2" G Brass	1				
10	1269050	Complete valve	6	38	1260200	Crankshaft	▼ 1				
11	880830	O-Ring	6	39	1260190	Crankshaft	○□■▲ 1				
12	1260140	Support ring ∅15	○ 3		1320260	Crankshaft	◆ 1				
13	1260141	Support ring ∅15	○ 3	40	1380520	Key	1				
14	1520120	Support ring ∅15	● 3	41	1320370	Bearing	1				
15	1320340	Support ring ∅18	3	42	1260750	Seal	1				
16	1271650	Gasket ∅15	3	43	1260470	Screw	4				
17	1260221	Gasket ∅18	3	44	1263890	Base	2				
18	1260151	Piston guide ∅15	3	45	1260790	Circlip	1				
19	1320351	Piston guide ∅18	3	46	1381550	Washer	6				
20	1260420	O-Ring	3		1269218	Pump head assembly	○ 1				
21	1260440	Gasket ∅15	3		1269221	Pump head assembly	● 1				
22	1260450	Gasket ∅18	3		1269250	Pump head assembly	□▼ 1				
23	1260460	Seal	3		1269222	Pump head assembly	■▲ 1				
24	1260790	Circlip	1		1269220	Pump head assembly	◆ 1				
25	1320370	Bearing	1	47	1266740	Cap	1				
26	1320330	Bushing	1								
27	1320010	Pump housing	1								
28	880130	Oil plug	1								
29	1260110	Nut	3								
30	1260100	Washer	3								
31	1260120	Piston ∅15	3								
	1260210	Piston ∅18	3								
	480480	O-Ring	3								
	1260091	Spacer	3								
	1260070	Guiding piston	3								
	1260080	Piston pin	3								
	1260760	Screw	6								
	1269101	Complete cover (low)	1								
	1329010	Complete cover (high)	1								
	1260060	Aluminum con rod	3								
	1320140	Bronze con rod	3								

Repair Kits

Water Seal		Pistons		Valve		Oil Seals	
Kit 1866 ∅15		Kit 2628 ∅15		Kit 1864		Kit 1872	
Kit 1874 ∅18		Kit 2629 ∅18					
Pos.	Qty.	Pos.	Qty.	Pos.	Qty.	Pos.	Qty.
11	3	22	3	9	6	16	3
12	3	23	3	10	6	32	1
14	3	24	3			41	1
15	3	25	3			47	1
		26	3				

Special Parts

Code	Description	Qty.
2815	Kit for up to 180° F ∅15 High Temp	1
2816	Kit for up to 180° F ∅18 High Temp	1
2029	Viton water seals ∅15	1
2030	Viton water seals ∅18	1



Plunger Pumps

FEATURING

MANIFOLD: High strength forged brass for long term use.

BOLTS: Six 6mm grade 12.9.

PLUNGERS: A special thick solid ceramic for long life, strong durability and more resilience.

CRANKCASE: Precision die-cast, large cooling fins and anodized for maximum heat dissipation. Sight glass, fill and drain plugs.

BEARINGS: Oversized for maximum life and load disbursement, a needle bearing on the drive side and a ball on the non-drive side. Each bearing is held in position on the crankshaft and crankcase by snap rings. This assures positive alignment and centering of the connecting rods and crankshaft in relation to the crankcase, it also eliminates the crankshaft from floating.

VALVES, SEATS, AND SPRINGS: Stainless steel with specially designed Ultra Form material valve cages that are impervious to water absorption and provide long life and positive seating.

SEALS AND V-PACKINGS: Continuously lubricating for extended life.

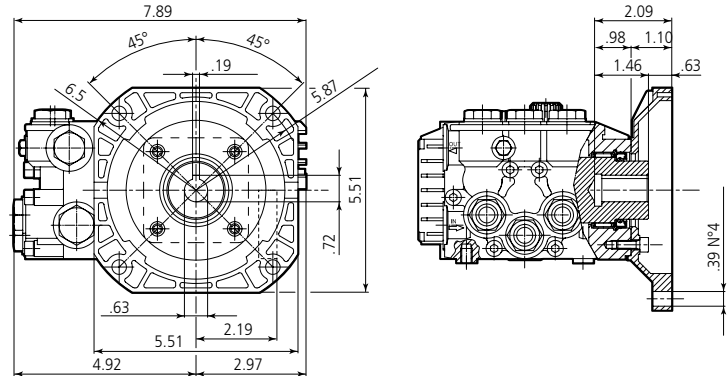
PLUNGER RODS: High strength stainless steel.

CONNECTING RODS: One piece special alloy aluminum based and bronze (+1800 PSI) oversized for maximum strength, load disbursement, and long life. Heavy pin area construction, for added load strength.

DIMENSIONS



XTA E version + F8 Hollow shaft pump ø 5/8"



SPECIFICATIONS

MODEL	MAX GPM	MAX LMP	MAX PSI	MAX BAR	POWER EBHP	BORE DIA MM	STROKE MM	CRANKSHAFT ID STAMP	WEIGHT LBS.
XTA2G15E-F8	2.11	8.0	1450	100	2.0	15	9.6	5	8.5
XTA2G15EBA-F8	2.11	8.0	1800	124	2.5	15	9.6	5	10
XTA2G22E-F8	2.11	8.0	2200	152	3.0	15	9.6	5	11
XTA3G10E-F8	3.0	11.4	1000	70	2.0	18	9.6	5	8.5
XTA3G16EBA-F8	3.0	11.4	1600	110	3.0	18	9.6	5	10
XTA3G19E-F8	3.0	11.4	1900	130	4.0	18	9.6	5	11
XTA3G22E-F8	3.0	11.4	2200	152	4.5	18	9.6	5	11
XTA3.5G10E-F8*	3.5	13.1	1000	69	2.5	18	11.0	6	8.5
XTA3.5G13E-F8*	3.5	13.1	1300	90	3.0	18	11.0	6	10
XTA3.5G17E-F8*	3.5	13.1	1740	120	4.0	18	11.0	6	11
XTA3.5G20E-F8*	3.5	13.1	1000	69	2.5	18	11.0	6	11
XTA4G10E-F8*	4.0	15.0	1000	69	3.0	18	12.8	7	8.5
XTA4G15EBA-F8	4.0	15.0	1500	103	4.0	18	12.8	7	11

PSI ≤ 1740 = Oil Capacity = 8 oz Maximum Fluid Temperature = 140° F
 PSI ≥ 1740 = Oil Capacity = 10 oz Maximum Fluid Temperature = 140° F

Inlet Thread = 1/2" F
 Inlet Thread = 1/2" F

Discharge Thread = 3/8" F
 Discharge Thread = 3/8" F

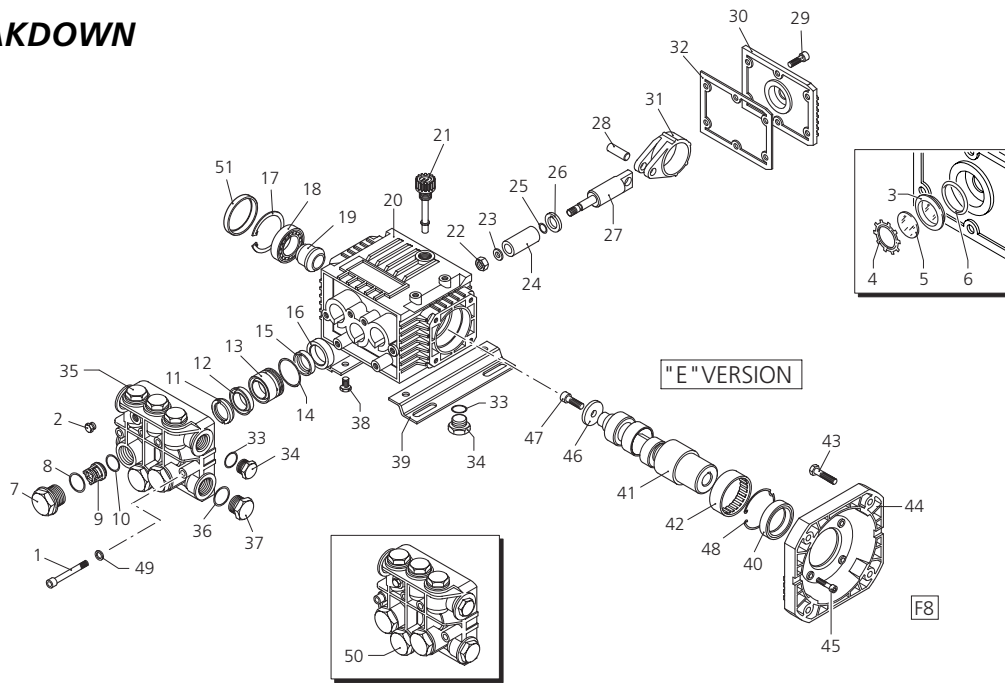
Torque Specifications Inch pounds (ft. lbs)

	HEAD	PISTON NUT	REAR COVER	SIDE COVER	VALVE CAP	CON RODS
PSI ≤ 1740	89 (7.5)	106 (8.8)	48 (4.0)	N/A	300 (25)	N/A
PSI ≥ 1740	137 (11)	106 (8.8)	48 (4.0)	N/A	300 (25)	N/A

SPECIAL NOTE: Use AR64516 Oil. First change oil after 50 hours of use. Then every 500 hours. This oil is specially formulated to provide correct lubrication properties for our pumps. **No** other oil is factory approved for these pumps.



PARTS BREAKDOWN



Pos.	Code	Description	Qty.	Pos.	Code	Description	Qty.	Legend			
1	680570	Screw	6	33	740290	O-Ring	2	∅ 15	∅ 18	∅ 18	∅ 18
2	620301	Plug	1	34	1980740	Plug 3/8" G Brass	2	For ○	For □	For ▼	For ◆
3	1260250	Oil indicator	1	35	1260021	Pump head	○ 1	XTA2G15	XTA3G10	XTA3.5G10	XTA4G10
4	1260430	Snap ring	1	35	1320022	Pump head	● 1		XTA3G16	XTA3.5G13	XTA4G15
5	1780690	Disc	1	35	1262226	Pump head	□▼ 1				
6	1140450	O-Ring	1	35	1320020	Pump head	■▲ 1	For ●	For ■	For ▲	
7	1260162	Plug	6	35	1262220	Pump head	◆ 1	XTA2G20	XTA3G19	XTA3.5G17	
7	1260161	Plug w 1/8" outlet	6	36	180101	O-Ring	1	XTA2G22	XTA3G22	XTA3.5G20	
8	960160	O-Ring	6	37	820361	Plug 1/2" G Brass	1				
9	1269050	Complete valve	6	38	1260470	Screw	4				
10	880830	O-Ring	6	39	1263890	Base	2				
11	1260140	Support ring ∅15	○ 3	40	480671	Seal	1				
11	1260141	Support ring ∅15	○ 3	41	1321110	Hollow shaft	○□■ 1				
11	1520120	Support ring ∅15	● 3	41	1322240	Hollow shaft	▼▲ 1				
12	1320340	Support ring ∅18	3	41	1322250	Hollow shaft	◆ 1				
12	1271650	Gasket ∅15	3	42	1321190	Bearing	1				
13	1260221	Gasket ∅18	3	43	650610	Screw	4				
13	1260151	Piston guide ∅15	3	44	1320060	Electric motor flange	1				
13	1320351	Piston guide ∅18	3	45	1200430	Screw	4				
14	1260420	O-Ring	3	46	780230	Washer	1				
15	1260440	Gasket ∅15	3	47	390430	Screw	1				
15	1260450	Gasket ∅18	3	48	1321080	Snap ring	1				
16	1260460	Seal	3	49	1381550	Washer	6				
17	1260790	Circlip	1	50	1269218	Pump head assembly	○ 1				
18	1320370	Bearing	1	50	1269221	Pump head assembly	● 1				
19	1320330	Bushing	1	50	1269250	Pump head assembly	□▼ 1				
20	1320010	Pump housing	1	50	1269222	Pump head assembly	■▲ 1				
21	880130	Oil plug	1	50	1269220	Pump head assembly	◆ 1				
22	1260110	Nut	3	51	1266740	Cap	1				
23	1260100	Washer	3								
24	1260120	Piston ∅15	3								
24	1260210	Piston ∅18	3								
25	480480	O-Ring	3								
26	1260091	Spacer	3								
27	1260070	Guiding piston	3								
28	1260080	Piston pin	3								
29	1260760	Screw	6								
30	1269101	Complete cover (low)	1								
30	1329010	Complete cover (high)	1								
31	1260060	Aluminum con rod	3								
31	1320140	Bronze con rod	3								
32	1260040	Gasket	1								

Repair Kits

Water Seal		Pistons		Valve		Oil Seals	
Kit 1866∅15	Kit 1874∅18	Kit 2628∅15	Kit 2629∅18	Kit 1864	Kit 1872	Kit 1872	Kit 1872
Pos.	Qty.	Pos.	Qty.	Pos.	Qty.	Pos.	Qty.
11	3	22	3	9	6	16	3
12	3	23	3	10	6	32	1
14	3	24	3			40	1
15	3	25	3			51	1
		26	3				

Special Parts

Code	Description	Qty.
2815	Kit for up to 180° F ∅15 High Temp	1
2816	Kit for up to 180° F ∅18 High Temp	1
2029	Viton water seals ∅15	1
2030	Viton water seals ∅18	1

