

Plunger Pumps

FEATURING

MANIFOLD: High strength 316L Stainless Steel to insure long term use.

BOLTS: 304L stainless steel.

PLUNGERS: A special ultra thick solid ceramic for long life, strong durability and more resilience.

CRANKCASE: Precision die-cast, large cooling fins and special anticorrosion finish. Both side and rear cover sight glass.

BEARINGS: Premium SKF tapered roller bearings that provide extra load support, smoother and lower crankcase running temperatures and over all extended pump life.

VALVES, SEATS, AND SPRINGS: Stainless steel with specially designed cages to provide seating and extended valve life.

SEALS AND V-PACKINGS: Viton are continuously lubricating for extended life. SPL plunger retainers.

OIL SEALS: Triple lipped and spring loaded for greater durability and extended life..

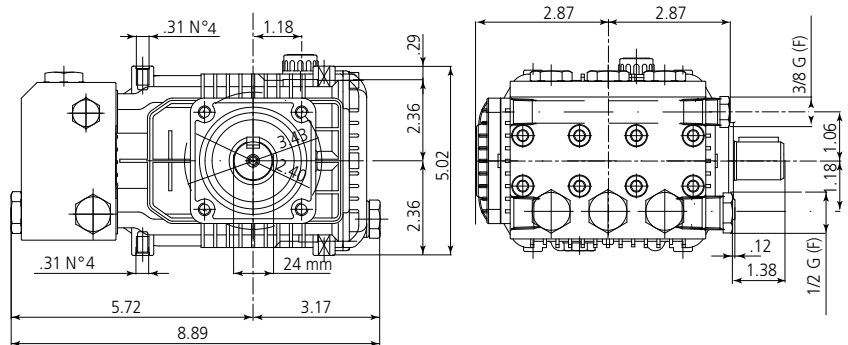
PLUNGER RODS: High strength stainless steel.

CONNECTING RODS: One piece special alloy bronze for higher pressures, oversized for maximum strength, load disbursement, and long life. Heavy pin area construction.

DIMENSIONS



XMV-SS N version
Solid shaft pump ø 24 mm



SPECIFICATIONS

MODEL	MAX GPM	MAX LMP	MAX PSI	MAX BAR	POWER EBHP	BORE DIA MM	STROKE MM	CRANKSHAFT ID STAMP	WEIGHT LBS.
XMVSS3G25N	3.0	11.4	2500	170		15	7.6	9	17

Oil Capacity = 14.5 oz

Maximum Fluid Temperature = 140° F

Inlet Thread = 1/2" F

Discharge Thread = 3/8" F

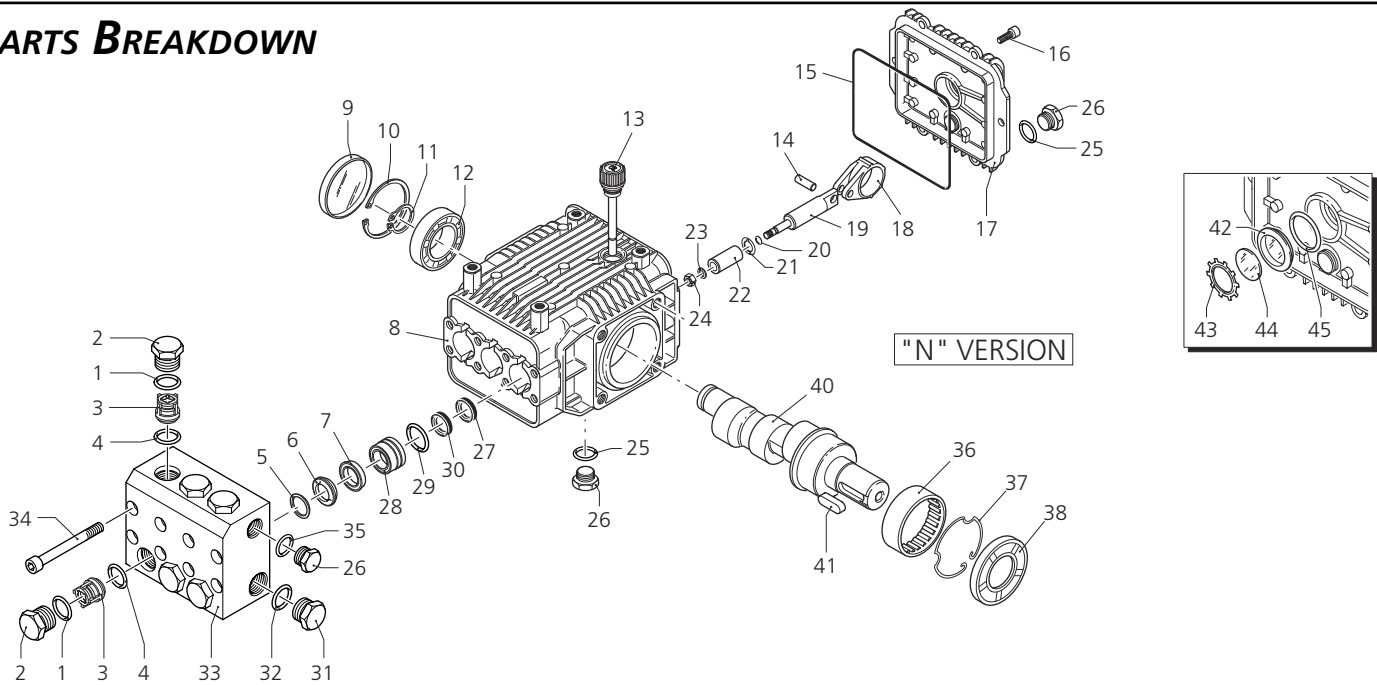
Torque Specifications Inch pounds (ft. lbs)

HEAD	PISTON NUT	REAR COVER	SIDE COVER	VALVE CAP	CON RODS
80 (6.6)	89 (7.5)	80 (6.6)	N/A	442 (37)	N/A

SPECIAL NOTE: Use AR64516 Oil. First change oil after 50 hours of use. Then every 500 hours. This oil is specially formulated to provide correct lubrication properties for our pumps. **No** other oil is factory approved for these pumps.



PARTS BREAKDOWN



Pos.	Code	Description	Qty.	Pos.	Code	Description	Qty.	Legend							
1	960160	O-Ring	6	41	1380520	Key	1	XMV-SS3G25							
2	2580031	Plug	6	42	1260250	Oil indicator	1								
3	2589050	Complete valve	6	43	1260430	Snap ring	1								
4	880830	O-Ring	6	44	1780690	Disc	1								
5	1780130	Support ring	3	45	1140450	O-Ring	1								
6	1260130-1	Gasket	3					Repair Kits							
7	1781030	Piston guide	3					Water Seal	Pistons	Valve	Oil Seals				
8	2580010	Pump body	1					Kit 2644-1	Kit 2645	Kit 2631-1	Kit 2787				
9	1266740	Cap	1					Pos.	Qty.	Pos.	Qty.	Pos.	Qty.	Pos.	Qty.
10	1260790	Circlip	1					6	3	20	3	3	6	9	1
11	1780550	Snap ring	1					7	3	21	3	4	6	15	1
12	1780490	Bearing	1					29	3	22	3			27	3
13	880130	Oil cap	1					30	3	23	3			38	1
14	1780050	Piston pin	3							24	3				
15	1780510	O-Ring	1									Support Rings			
16	680560	Screw	6									Kit 2740			
17	2349010	Complete cover	1									Pos. Qty.			
18	1780710	Bronze con rod	3									5 3			
19	2580070	Guiding piston	3												
20	480480	O-Ring	3												
21	2580120	Spacer disc	3												
22	1780070	Piston	3												
23	2340200	Piston washer	3												
24	2580110	Nut	3												
25	740290	O-Ring	2												
26	2340350	Plug 3/8" G	3												
27	1260460	Seal	3												
28	2580050	Rear piston guide	3												
29	770260	O-Ring	3												
30	1260440	Gasket	3												
31	2340360	Plug 1/2" G	1												
32	180102	O-Ring	1												
33	2580020	Pump head	1												
34	2580090	Screw	8												
35	740291	O-Ring	1												
36	1321190	Bearing	1												
37	1321080	Snap ring	1												
38	480671	Seal	1												
39	820440	Grub screw	1												
40	1780230	Crankshaft	1												

