

Plunger Pumps

FEATURING

MANIFOLD: High strength forged brass for long term use.

BOLTS: Eight 6mm grade 12.9.

PLUNGERS: A special thick solid ceramic for long life, strong durability and more resilience.

CRANKCASE: Precision die-cast, large cooling fins and anodized for maximum heat dissipation. Sight glass, fill and side and bottom drain plugs.

BEARINGS: Oversized for maximum life and load disbursement, needle bearing on the drive side and ball on the non-drive side. Each bearing is held in position on the crankshaft and crankcase by snap rings. This assures positive alignment and centering of the connecting rods and crankshaft in relation to the crankcase, it also eliminates the crankshaft from floating.

VALVES, SEATS, AND SPRINGS: Stainless steel with specially designed Ultra Form cages to provide extra long life and positive seating.

SEALS AND V-PACKINGS: Continuously lubricating for extended life.

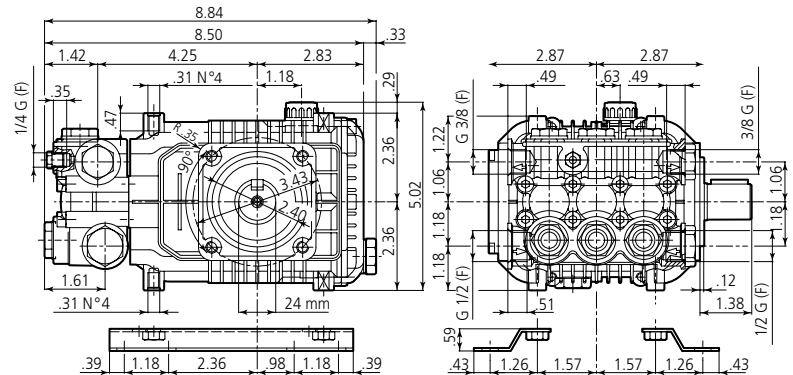
PLUNGER RODS: High strength stainless steel.

CONNECTING RODS: One piece special alloy aluminum based, oversized for maximum strength, load disbursement, and long life. Heavy pin area construction, for added load strength.

DIMENSIONS



XM N version Solid shaft pump ø 24 mm



SPECIFICATIONS

MODEL	MAX GPM	MAX LMP	MAX PSI	MAX BAR	POWER EBHP	BORE DIA MM	STROKE MM	CRANKSHAFT ID STAMP	WEIGHT LBS.
XM11.17N	2.9	11.0	2500	170	5.0	15	15.4	1	14
XM13.17N	3.43	13.0	2500	170	5.5	18	12.4	4	14
XM15.15N	3.96	15.0	2200	150	5.5	18	14.2	2	14

Oil Capacity = 14.6 oz

Maximum Fluid Temperature = 140° F

Inlet Thread = 1/2" F

Discharge Thread = 3/8" F

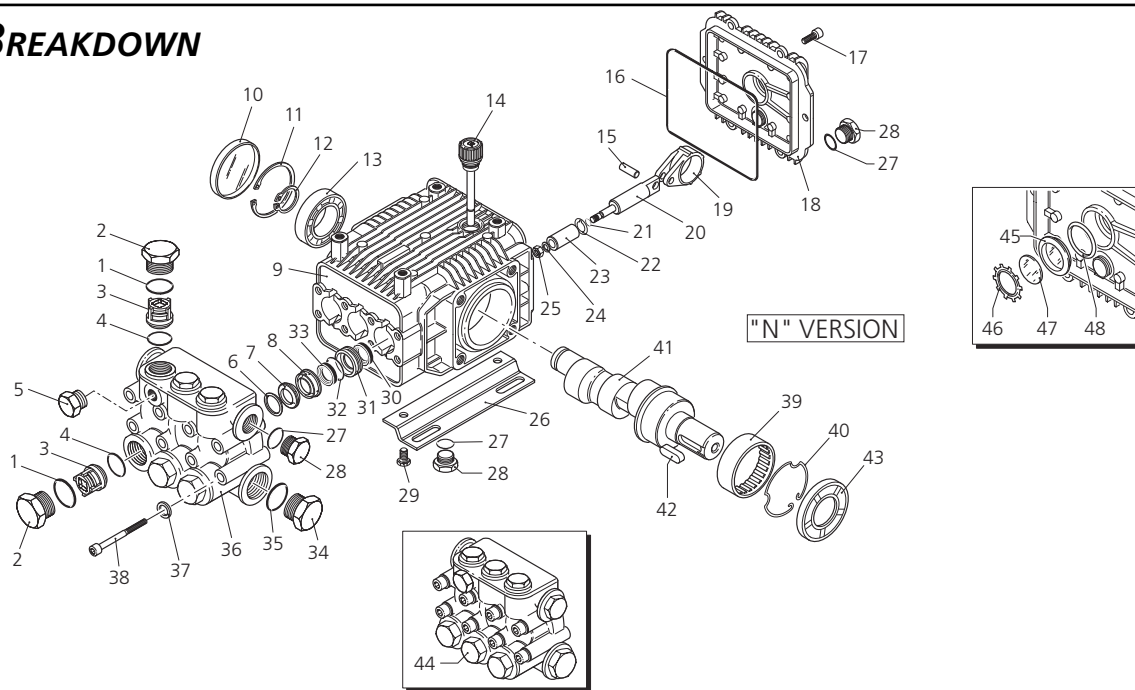
Torque Specifications Inch pounds (ft. lbs)

HEAD	PISTON NUT	REAR COVER	SIDE COVER	VALVE CAP	CON RODS
133 (11)	106 (8.8)	89 (7.5)	N/A	442 (37)	N/A

SPECIAL NOTE: Use AR64516 Oil. First change oil after 50 hours of use. Then every 500 hours. This oil is specially formulated to provide correct lubrication properties for our pumps. **No** other oil is factory approved for these pumps.



PARTS BREAKDOWN



Pos.	Code	Description	Qty.	Pos.	Code	Description	Qty.	Legend		
1	960160	O-Ring	6	35	180101	O-Ring	1	∅ 15	∅ 18	∅ 18
2	1260162	Plug	6	36	1780020	Head	1	For ○	For □	For ▼
3	1269050	Complete valve	6	37	1381550	Washer	8	XM11.17	XM13.17	XM15.15
4	880830	O-Ring	6	38	1322730	Screw	8			
5	620301	Plug	1	39	1321190	Bearing	1			
6	1780130	Support ring ∅15	○ 3	40	1321080	Snap ring	1			
7	1780140	Support ring ∅18	□▼ 3	41	1780150	Crankshaft	○ 1			
8	1260130	Gasket ∅15	○ 3	42	1780160	Crankshaft	▼ 1			
9	1260220	Gasket ∅18	□▼ 3	43	1780180	Crankshaft	□ 1			
10	1780090	Piston guide ∅15	○ 3	44	1380520	Key	1			
11	1780110	Piston guide ∅18	□▼ 3	45	1260750	Seal	1			
12	1780010	Pump body	1	46	1789201	Pump head assembly	○ 1			
13	1266740	Cap	1	47	1789202	Pump head assembly	□▼ 1			
14	1260790	Circlip	1	48	1260250	Oil indicator	1			
15	1780550	Snap ring	1	49	1260430	Snap ring	1			
16	1780490	Bearing	1	50	1780690	Disc	1			
17	880130	Oil cap	1	51	1140450	O-Ring	1			
18	1780050	Piston pin	3							
19	1780510	O-Ring	1							
20	1200430	Screw	6							
21	1789010	Complete cover	1							
22	1780040	Con rod	3							
23	1780060	Guiding piston	3							
24	480480	O-Ring	3							
25	1260091	Spacer disc	3							
26	1780070	Piston ∅15	○ 3							
26b	1780080	Piston ∅18	□▼ 3							
26c	1260100	Piston washer	3							
27	1260110	Nut	3							
28	1380141	Base	2							
29	72729	5/8" Rail Kit	1							
30	2633H	2-5/8" Rail Kit	1							
31	740290	O-Ring	3							
32	1980740	Plug 3/8" G	3							
33	1260470	Screw	4							
34	1260460	Seal	3							
35	1780100	Rear piston guide ∅15	○ 3							
36	1780120	Rear piston guide ∅18	□▼ 3							
37	770260	O-Ring	3							
38	1260440	Gasket ∅15	○ 3							
39	1260450	Gasket ∅18	□▼ 3							
40	820361	Plug 1/2" G Brass	1							

Legend		
∅ 15	∅ 18	∅ 18
For ○	For □	For ▼
XM11.17	XM13.17	XM15.15

Repair Kits			
Water Seal Kit 2741 ∅15	Pistons Kit 2544 ∅15	Valve Kit 1864	Oil Seals Kit 2786
Kit 2747 ∅18	Kit 2545 ∅18		
Pos. Qty.	Pos. Qty.	Pos. Qty.	Pos. Qty.
7 3	21 3	3 6	10 1
32 3	22 3	4 6	16 1
33 3	23 3		30 3
	24 3		43 1
	25 3		

Support Rings	
Kit 2740 ∅15	
Kit 2745 ∅18	
Pos. Qty.	
6 3	

Special Parts		
Code	Description	Qty.
2776	Viton water seals ∅15	1
2777	Viton water seals ∅18	1

