

Plunger Pumps

FEATURING

MANIFOLD: High strength forged brass for long term use.

BOLTS: Eight 6mm grade 12.9.

PLUNGERS: A special thick solid ceramic for long life, strong durability and more resilience.

CRANKCASE: Precision die-cast, large cooling fins and anodized for maximum heat dissipation. Sight glass, fill and side and bottom drain plugs.

BEARINGS: Oversized for maximum life and load disbursement, needle bearing on the drive side and ball on the non-drive side. Each bearing is held in position on the crankshaft and crankcase by snap rings. This assures positive alignment and centering of the connecting rods and crankshaft in relation to the crankcase, it also eliminates the crankshaft from floating.

VALVES, SEATS, AND SPRINGS: Stainless steel with specially designed Ultra Form cages to provide extra long life and positive seating.

SEALS AND V-PACKINGS: Continuously lubricating for extended life.

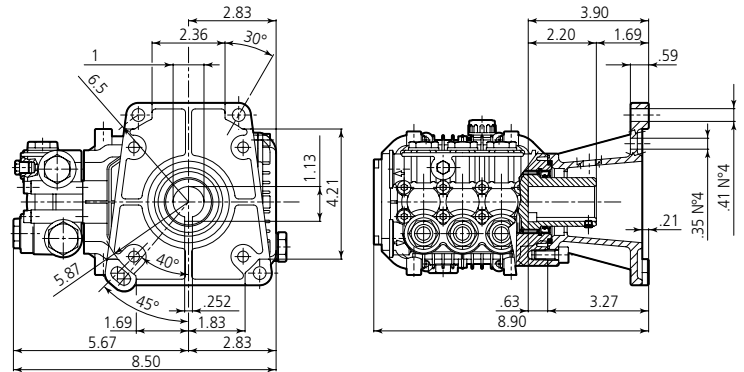
PLUNGER RODS: High strength stainless steel.

CONNECTING RODS: One piece special alloy aluminum based, oversized for maximum strength, load disbursement, and long life. Heavy pin area construction, for added load strength.

DIMENSIONS



SXMV D version + F24
Hollow shaft pump ø 1"



SPECIFICATIONS

MODEL	MAX GPM	MAX LMP	MAX PSI	MAX BAR	POWER EBHP	BORE DIA MM	STROKE MM	CRANKSHAFT ID STAMP	WEIGHT LBS.
SXMV3G40D-F24	3.0	11.4	4000	240	7.5	15	7.6	9	16
SXMV3.5G40D-F24	3.5	13.2	4000	240	8.5	15	8.2	8	16
SXMV4G35D-F24	4.0	15.1	3500	240	10.0	15	9.4	7	16

Oil Capacity = 14.6 oz

Maximum Fluid Temperature = 140° F

Inlet Thread = 1/2" F

Discharge Thread = 3/8" F

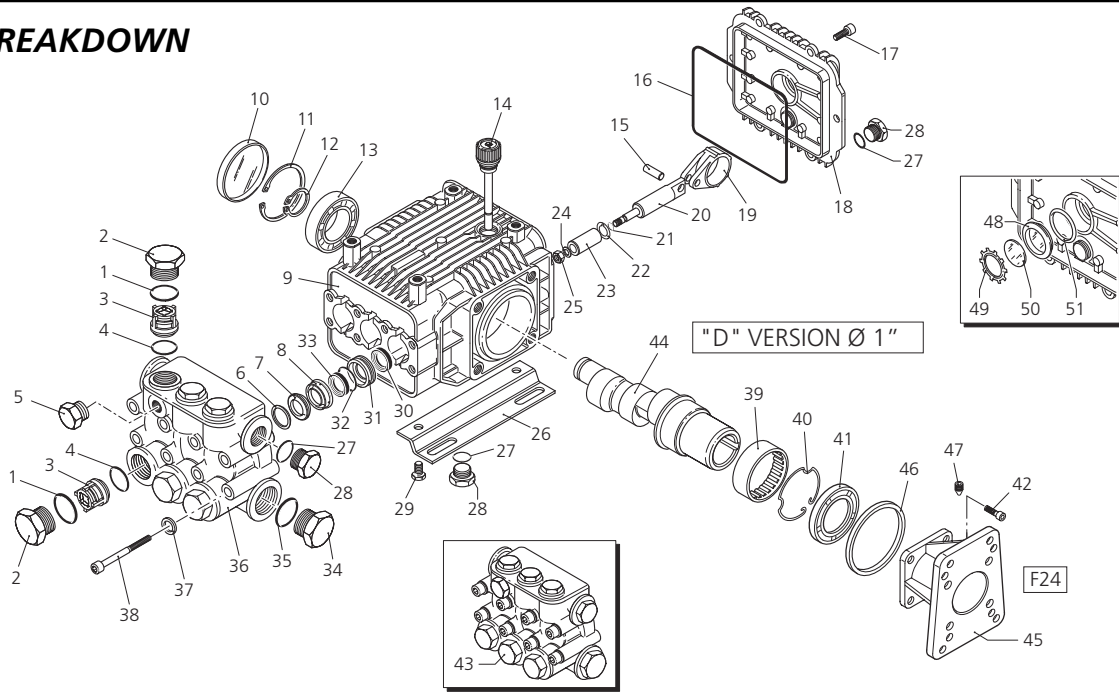
Torque Specifications Inch pounds (ft. lbs)

HEAD	PISTON NUT	REAR COVER	SIDE COVER	VALVE CAP	CON RODS
133 (11)	89 (7.5)	89 (7.5)	N/A	442 (37)	N/A

SPECIAL NOTE: Use AR64516 Oil. First change oil after 50 hours of use. Then every 500 hours. This oil is specially formulated to provide correct lubrication properties for our pumps. **No** other oil is factory approved for these pumps.



PARTS BREAKDOWN



Pos.	Code	Description	Qty.	Pos.	Code	Description	Qty.	Legend		
1	960160	O-Ring	6	41	480671	Seal	1	Ø 15	Ø 15	Ø 15
2	1260162	Plug	6	42	180030	Screw	4	For ○	For □	For ▼
3	1269050	Complete valve	6	43	1789200	Pump head assembly	1	SXMV3G40	SXMV3.5G40	SXMV4G35
4	880830	O-Ring	6	44	1780340	Hollow shaft	○ 1			
5	620301	Plug	1	44	1780920	Hollow shaft	□ 1			
6	1780130	Support ring	3	44	1780330	Hollow shaft	▼ 1			
7	1260130	Gasket	3	45	1597	Gas engine flange	1			
8	1780090	Piston guide	3	46	1780430	Bushin	1			
9	1780010	Pump body	1	47	820440	Grub screw	1			
10	1266740	Cap	1	48	1260250	Oil indicator	1			
11	1260790	Circlip	1	49	1260430	Snap ring	1			
12	1780550	Snap ring	1	50	1780690	Disc	1			
13	1780490	Bearing	1	51	1140450	O-Ring	1			
14	880130	Oil cap	1							
15	1780050	Piston pin	3							
16	1780510	O-Ring	1							
17	1200430	Screw	6							
18	1789010	Complete cover	1							
19	1780040	Con rod	3							
20	1780060	Guiding piston	3							
21	480480	O-Ring	3							
22	1260091	Spacer disc	3							
23	1780070	Piston	3							
24	1260100	Piston washer	3							
25	1260110	Nut	3							
26	1380141	Base	2							
26b	2729	5/8" Rail Kit	1							
26c	2633H	2-5/8" Rail Kit	1							
27	740290	O-Ring	3							
28	1980740	Plug 3/8" G	3							
29	1260470	Screw	4							
30	1260460	Seal	3							
31	1780100	Rear piston guide	3							
32	770260	O-Ring	3							
33	1260440	Gasket	3							
34	820361	Plug 1/2" G Brass	1							
35	180101	O-Ring	1							
36	1780380	Head	1							
37	1381550	Washer	8							
38	1322730	Screw	8							
39	1321190	Bearing	1							
40	1321080	Snap ring	1							

Legend

Ø 15	Ø 15	Ø 15
For ○	For □	For ▼
SXMV3G40	SXMV3.5G40	SXMV4G35

Repair Kits

Water Seal Kit 2741		Pistons Kit 2544		Valve Kit 2125		Oil Seals Kit 2787	
Pos.	Qty.	Pos.	Qty.	Pos.	Qty.	Pos.	Qty.
7	3	21	3	3	6	10	1
32	3	22	3	4	6	16	1
33	3	23	3			30	3
		24	3			41	1
		25	3				

Support Rings

Kit 2740	
Pos.	Qty.
6	3

Special Parts

Code	Description	Qty.
2776	Viton water seals Ø15	1
2717	Kit for up to 180° F Ø15 High Temp	1

