

Plunger Pumps

FEATURING

MANIFOLD: High strength forged brass for long term use.

BOLTS: Three 8mm grade 8.8.

PISTONS: Ceramic coated stainless steel for longer pump life in harsh environments.

CRANKCASE: Precision die-cast, large cooling fins for maximum heat dissipation. Sight glass, fill and drain plugs

BEARINGS: Angular contact ball bearing stabilizes the crankshaft and one thrust needle bearing absorbs the plunger load and assure long radial plate life. All of the thrust plates are made of heat treated hardened steel for extended life.

VALVES, SEATS, AND SPRINGS: Stainless steel with specially designed Ultra Form cages provide extra long life and positive seating.

SEALS AND V-PACKINGS: Continuously lubricating for extended life.

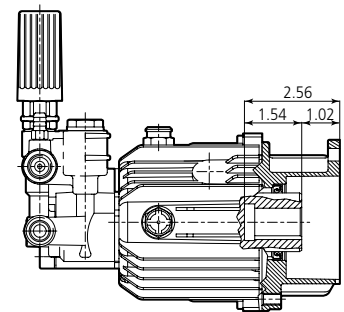
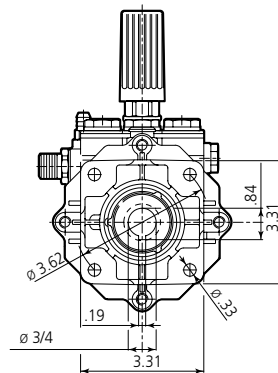
UNLOADER: Built in to optimize performance while reducing setup time. Integral trap pressure, fixed or adjustable chemical injector.

DIMENSIONS



SJV

D version + F7
Hollow shaft pump \varnothing 3/4"



SPECIFICATIONS

MODEL	MAX GPM	MAX LMP	MAX PSI	MAX BAR	POWER EBHP	BORE DIA MM	STROKE MM	CRANKSHAFT ID STAMP	WEIGHT LBS.
SJV2G25D-F7	2.0	7.6	2500	170	3.5	15	4.8		11
SJV2.5G24D-F7	2.5	9.5	2500	170	4.5	15	5.8		11
SJV3G25D-F7	3.0	11.4	2500	170	5.0	15	6.8		11

Oil Capacity = 4.5 oz

Maximum Fluid Temperature = 140° F

Inlet Thread = 1/2" M

Discharge Thread = 3/8" M

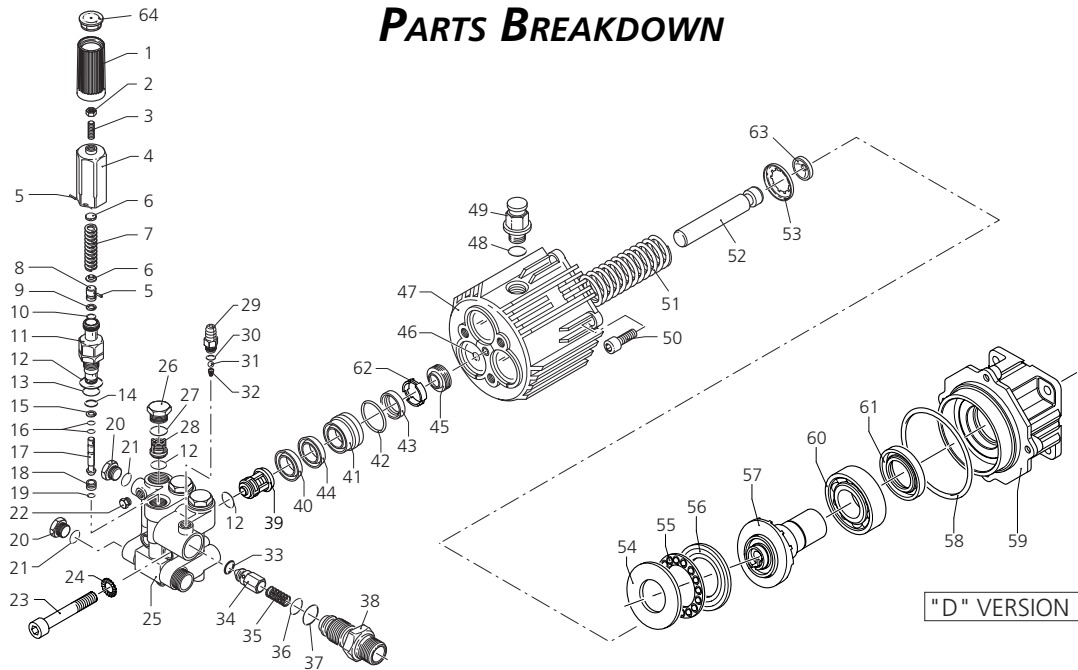
Torque Specifications Inch pounds (ft. lbs)

HEAD	PISTON NUT	REAR COVER	SIDE COVER	VALVE CAP	CON RODS
443 (37)	N/A	228 (19)	N/A	400 (37)	N/A

SPECIAL NOTE: Use only AR64545 for the XJ/SJ/BK Series pumps only: Do NOT change oil. Use oil only to add if low. This oil is a specially formulated synthetic with special additives for the demands of the XJ, SJ and BK pump series. No other oil is factory approved for these pumps, and could result in pump failure.



PARTS BREAKDOWN



Pos.	Code	Description	Qty.
1	1981780	Knob	1
2	1980300	Nut	1
3	1540560	Grub screw	1
4	1980390	Handle insert	1
5	1080070	Pin	2
6	1980220	Plate spring	2
7	1271070	Spring	1
8	1080041	Upper piston	1
9	1080401	Ring	1
10	1080250	O-Ring	1
11	1980210	Piston guide	1
12	880830	O-Ring	7
13	740290	O-Ring	1
14	800560	O-Ring	1
15	1271170	Ring	1
16	1080190	O-Ring	2
17	1271160	Lower piston	1
18	1980200	Valve seat	1
19	1470210	O-Ring	1
20	880581	Plug	2
21	820510	O-Ring	2
22	620301	Plug	1
23	1980310	Screw	3
24	650530	Washer	3
25	1982450	Pump head	1
26	1260162	Plug	3
27	960160	O-Ring	3
28	1269050	Complete valve	3
29	1982520	Hose tail	1
30	480480	O-Ring	1
31	1250280	Ball	1
32	1560520	Spring	1
33	1460430	O-Ring	1
34	1540170	Jet	1
35	1080091	Spring	1
36	394280	O-Ring	1
37	1200690	O-Ring	1
38	1270141	Detergent injector	1
39	1989050	Complete valve	3
40	1342761	Gasket	3
41	1981570	Piston guide	3
42	770260	O-Ring	3

Pos.	Code	Description	Qty.
43	1260440	Gasket	3
44	1981580	Ring	3
45	1980410	Seal	3
46	770090	O-Ring	1
47	1983050	Housing	1
48	740290	O-Ring	1
49	1980380	Plug	1
50	180030	Screw	4
51	1981140	Spring	3
52	1981120	Piston	3
53	1980150	Ring	3
54	1983100	Rail	1
55	1980250	Cage	1
56	1980240	Rail	1
57	1982710	Hollow Shaft	1
58	1982810	Hollow Shaft	1
59	1982840	Hollow Shaft	1
60	1982860	Hollow Shaft	1
61	1980340	O-Ring	1
62	1981420	Flange	1
63	1982360	Bearing	1
64	480671	Seal	1
	1980430	Spacer	3
	1981130	Plate	3
	1981770	Knob plug	1

Legend			
For ○	For □	For ▼	For ◆
SJV2G25D	SJV2.5G25D	SJV3G25D	SJV3.5G22D
		SJV3G27D	SJV3.5G25D

Repair Kits			
Water Seal Kit 2147	Valve Kit 2869	Pistons Kit 2513	Oil Seals Kit 2797
Pos. Qty.	Pos. Qty.	Pos. Qty.	Pos. Qty.
40 3	12 6	52 3	45 3
42 3	28 3		46 1
43 3	39 3		61 1
44 3			
O-Rings Kit 2799			
Pos. Qty.	Pos. Qty.		
9 1	27 3		
10 1	30 1		
12 7	31 1		
13 1	32 1		
14 1	33 1		
15 1	36 1		
16 2	37 1		
19 1	48 1		
21 2	58 1		



Plunger Pumps

FEATURING

MANIFOLD: High strength forged brass for long term use.

BOLTS: Three 8mm grade 8.8.

PISTONS: Ceramic coated stainless steel for longer pump life in harsh environments.

CRANKCASE: Precision die-cast, large cooling fins for maximum heat dissipation. Sight glass, fill and drain plugs

BEARINGS: Angular contact ball bearing stabilizes the crankshaft and one thrust needle bearing absorbs the plunger load and assure long radial plate life. All of the thrust plates are made of heat treated hardened steel for extended life.

VALVES, SEATS, AND SPRINGS: Stainless steel with specially designed Ultra Form cages provide extra long life and positive seating.

SEALS AND V-PACKINGS: Continuously lubricating for extended life.

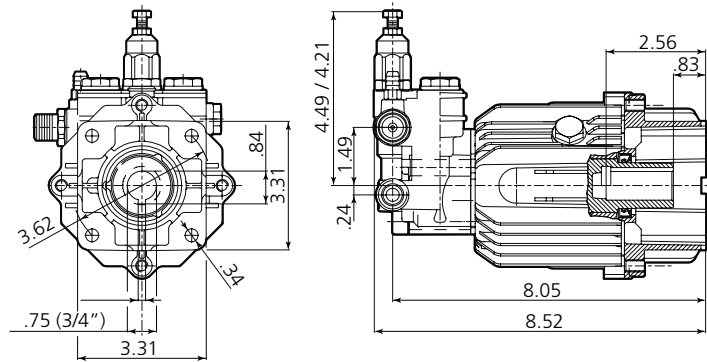
UNLOADER: Built in to optimize performance while reducing setup time. Integral trap pressure, fixed or adjustable chemical injector.

DIMENSIONS



XJV-E

D version + F7
Hollow shaft pump ø 3/4"



SPECIFICATIONS

MODEL	MAX GPM	MAX LMP	MAX PSI	MAX BAR	POWER EBHP	BORE DIA MM	STROKE MM	CRANKSHAFT ID STAMP	WEIGHT LBS.
XJV2G15E-F8	2.0	7.6	1450	100	2.0	15	4.8	-	11
XJV3G20E-F8	3.0	11.4	2000	140	4.0	15	6.8	-	11

Oil Capacity = 4.5 oz

Maximum Fluid Temperature = 140° F

Inlet Thread = 1/2" M

Discharge Thread = 3/8" M

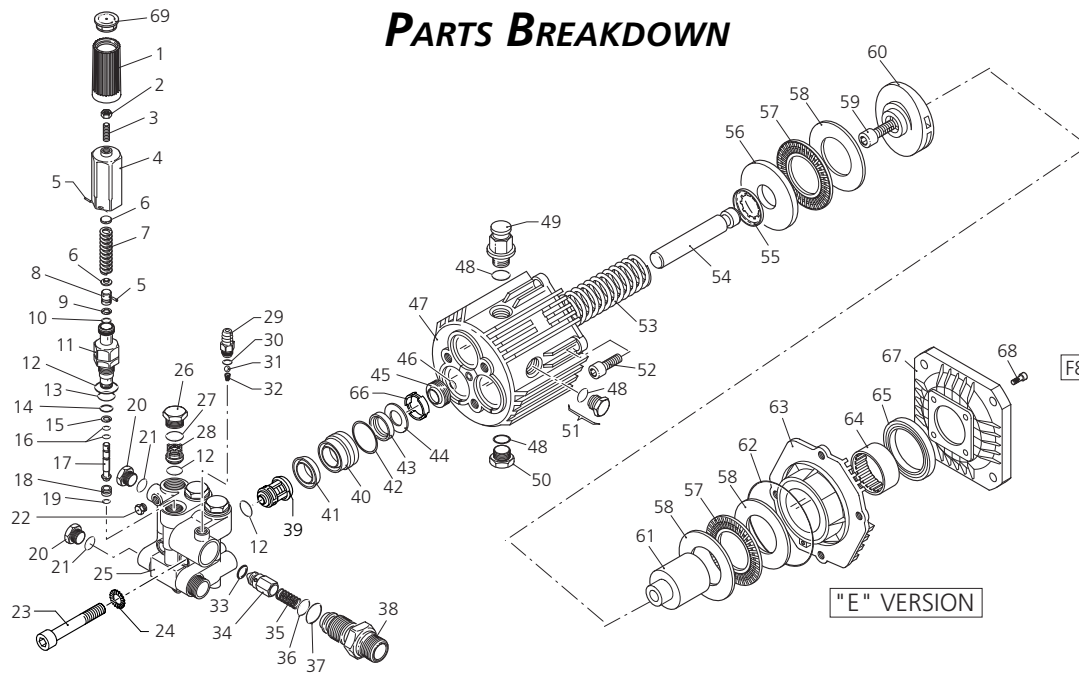
Torque Specifications Inch pounds (ft. lbs)

HEAD	PISTON NUT	REAR COVER	SIDE COVER	VALVE CAP	CON RODS
443 (37)	N/A	228 (19)	N/A	400 (37)	N/A

SPECIAL NOTE: Use only AR64545 for the XJ/SJ/BK Series pumps only: Do NOT change oil. Use oil only to add if low. This oil is a specially formulated synthetic with special additives for the demands of the XJ, SJ and BK pump series. No other oil is factory approved for these pumps, and could result in pump failure.



PARTS BREAKDOWN



Pos.	Code	Description	Qty.	Pos.	Code	Description	Qty.	Legend			
1	1981780	Knob	1	43	1260440	Gasket	3	For ○	For □	For ▼	
2	1980300	Nut	1	44	1980170	Ring	3	XJV2G15E	XJV2.5G15E	XJV3G20E	
3	1540560	Grub screw	1	45	1980410	Seal	3				
4	1980390	Handle insert	1	46	770090	O-Ring	1				
5	1080070	Pin	2	47	1980010	Housing	1				
6	1980220	Plate spring	2	48	740290	O-Ring	3				
7	1271070	Spring	1	49	1980380	Plug	1				
8	1080041	Upper piston	1	50	1980740	Plug 3/8 G Brass	1				
9	1080401	Ring	1	51	1980290	Plug	1				
10	1080250	O-Ring	1	52	180030	Screw	4				
11	1980210	Piston guide	1	53	1981140	Spring	3				
12	880830	O-Ring	7	54	1980140	Piston	3				
13	740290	O-Ring	1	55	1980150	Ring	3				
14	800560	O-Ring	1	56	1980130	Rail	1				
15	1271170	Ring	1	57	1980250	Cage	1				
16	1080190	O-Ring	2	58	1980240	Rail	1				
17	1271160	Lower piston	1	59	850370	Screw	1				
18	1980200	Valve seat	1	60	1980080	Wobble plate	○ 1				
19	1470210	O-Ring	1	61	1980070	Wobble plate	□ 1				
20	880581	Plug	2	62	1980060	Wobble plate	▼ 1				
21	820510	O-Ring	2	63	1980110	Hollow Shaft	1				
22	620301	Plug	1	64	1980340	O-Ring	1				
23	1980310	Screw	3	65	1980040	Flange	1				
24	650530	Washer	3	66	1980230	Roller bearing	1				
25	1980020	Pump head	1	67	480671	Seal	1				
26	1260162	Plug	3	68	1980430	Spacer	3				
27	960160	O-Ring	3	69	1320060	Motor Flange NEMA-56C	1				
28	1269050	Complete valve	3		1200430	Screw	4				
29	1982520	Hose tail	1		1981770	Knob plug	1				
30	480480	O-Ring	1								
31	1250280	Ball	1								
32	1560520	Spring	1								
33	1460430	O-Ring	1								
34	1540170	Jet	1								
35	1080091	Spring	1								
36	394280	O-Ring	1								
37	1200690	O-Ring	1								
38	1270141	Detergent injector	1								
39	1989050	Complete valve	3								
40	1342761	Gasket	3								
41	1980180	Piston guide	3								
42	770130	O-Ring	3								

Legend

For ○ XJV2G15E For □ XJV2.5G15E For ▼ XJV3G20E

Repair Kits

Water Seal Kit 2798		Valve Kit 2869		Pistons Kit 2796		Oil Seals Kit 2797	
Pos.	Qty.	Pos.	Qty.	Pos.	Qty.	Pos.	Qty.
40	3	12	6	54	3	45	3
42	3	28	3			46	1
43	3	39	3			65	1
44	3						

O-Rings Kit 2799

Pos.	Qty.	Pos.	Qty.
9	1	27	3
10	1	30	1
12	7	31	1
13	1	32	1
14	1	33	1
15	1	36	1
16	2	37	1
19	1	48	1
21	2	62	1



Plunger Pumps

FEATURING

MANIFOLD: High strength forged brass for long term use.

BOLTS: Three 10mm grade 8.8.

PISTONS: Polished stainless steel for longer pump life in harsh environments.

CRANKCASE: Precision die-cast, large cooling fins for maximum heat dissipation.

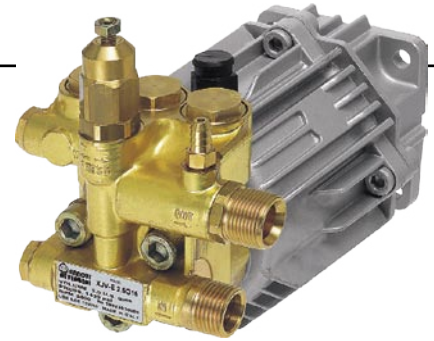
BEARINGS: Angular contact ball bearing stabilizes the crankshaft and one thrust needle bearing absorbs the plunger load and assure long radial plate life. All of the thrust plates are made of heat treated hardened steel for extended life.

VALVES, SEATS, AND SPRINGS: Stainless steel with specially designed Ultra Form cages provide extra long life and positive seating.

SEALS AND V-PACKINGS: Continuously lubricating for extended life.

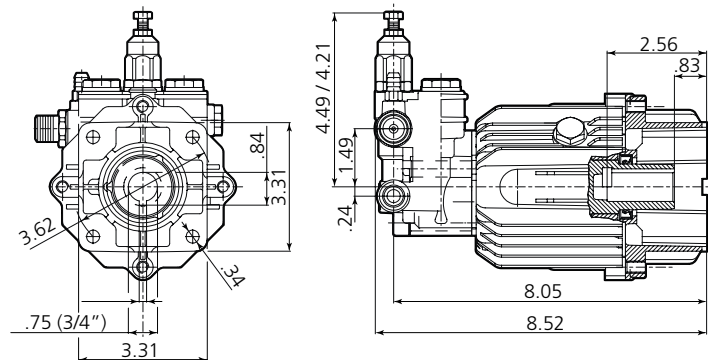
UNLOADER: Built in to optimize performance while reducing setup time. Integral trap pressure, fixed or adjustable chemical injector.

DIMENSIONS



XJV-E

D version + F7
Hollow shaft pump ø 3/4"



SPECIFICATIONS

MODEL	MAX GPM	MAX LMP	MAX PSI	MAX BAR	POWER EBHP	BORE DIA MM	STROKE MM	CRANKSHAFT ID STAMP	WEIGHT LBS.
XJV-E2G15D-F7	2.0	7.6	1450	100	2.0	15	4.8	-	11
XJV-E2G20D-F7	2.0	7.6	2000	140	2.8	15	4.8	-	11
XJV-E2.5G15D-F7	2.5	9.5	1450	100	2.5	15	5.8	-	11
XJV-E2.5G20D-F7	2.5	9.5	2000	140	3.4	15	5.8	-	11
XJV-E2.5G22D-F7	2.5	9.5	2200	150	3.8	15	5.8	-	11
XJV-E3G15D-F7	3.0	11.4	1450	100	3.0	15	6.8	-	11
XJV-E3G20D-F7	3.0	11.4	2000	140	4.0	15	6.8	-	11
XJV-E3G22D-F7	3.0	11.4	2200	150	4.5	15	6.8	-	11

Oil Capacity = 4.5 oz

Maximum Fluid Temperature = 140° F

Inlet Thread = 1/2" M

Discharge Thread = 3/8" M

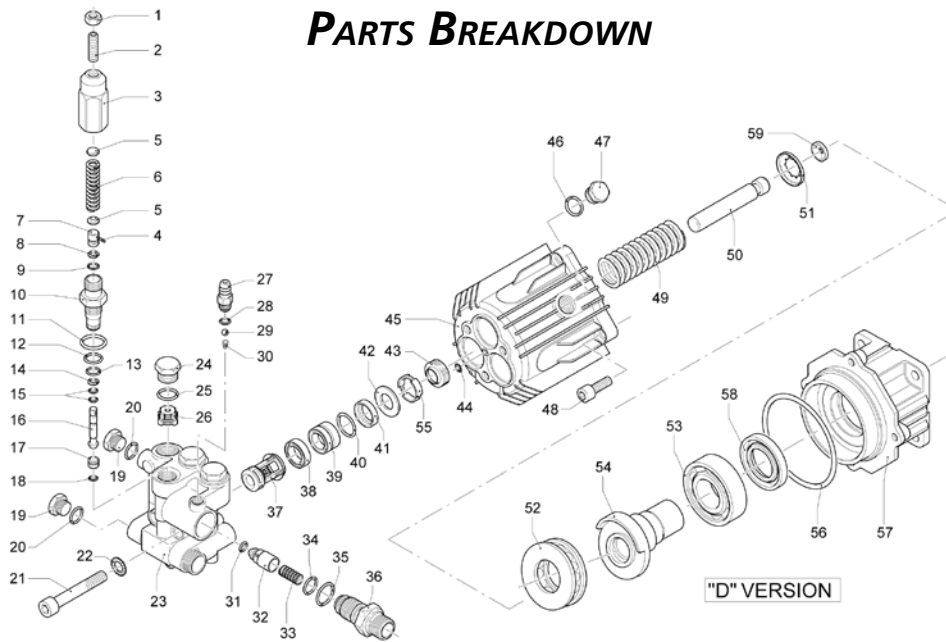
Torque Specifications Inch pounds (ft. lbs)

HEAD	PISTON NUT	REAR COVER	SIDE COVER	VALVE CAP	CON RODS
443 (37)	N/A	228 (19)	N/A	400 (37)	N/A

SPECIAL NOTE: Use only AR64545 for the XJ/SJ/BK Series pumps only: Do NOT change oil. Use oil only to add if low. This oil is a specially formulated synthetic with special additives for the demands of the XJ, SJ and BK pump series. No other oil is factory approved for these pumps, and could result in pump failure.



PARTS BREAKDOWN



Pos.	Code	Description	Qty.
1	1980300	Nut	1
2	392840	Adjustment screw	1
3	1980540	Adjustment cap	1
4	1080070	Pin	1
5	1980220	Plate spring	2
6	1980520	Spring	1
7	1080041	Upper piston	1
8	1080401	Back-up ring	1
9	1080250	O-Ring	1
10	1980530	Piston guide	1
11	880830	O-Ring	1
12	740290	O-Ring	1
13	800560	O-Ring	1
14	1271170	Back-up ring	1
15	1080190	O-Ring	2
16	1271160	Lower piston	1
17	1980200	Piston seat	1
18	1470210	O-Ring	1
19	880581	Plug 1/4G	2
20	820510	O-Ring	2
21	1980310	Head bolt (443 in/lbs)	3
22	650530	Washer	3
23	1981500	Pump head	1
24	1260162	Valve cap (443 in/lbs)	3
25	960160	O-Ring	3
26	1989061	Complete valve	6
27	1560490	Chem barb	1
28	480480	O-Ring	1
29	1250280	Ball	1
30	1560520	Spring	1
31	1460430	O-Ring	1
32	1540170	Check valve	1
33	1080091	Spring	1
34	394280	O-Ring	1
35	1200690	O-Ring	1
36	1271700	Detergent injector	1
37	1989060	Complete valve	3
38	2460180	High pressure packing	3
39	1981470	Piston guide	3
40	770130	O-Ring	3
41	1260440	Low pressure seal	3

Pos.	Code	Description	Qty.
42	1980170	Seal retainer	3
43	1980410	Oil seal	3
44	770090	O-Ring	1
45	1980460	Crankcase	1
46	740290	O-Ring	1
47	1980740	Oil plug	1
48	180030	Bolt	4
49	1981140	Spring	3
50	1981440	Piston	3
51	1980150	Piston retainer (3 pc)	3
52	1982290	Bearing	1
53	161060	Bearing	1
54	1981540	Angle plate	○ 1
54	1981610	Angle plate	□ 1
54	1981620	Angle plate	▽ 1
55	1980430	Retainer	3
56	1980340	O-Ring	1
57	1981420	Flange	1
58	1140380	Oil seal	1
59	1981130	Plunger shoe	1
Oil			
	AR64545	Specialty Oil 4.5 oz	1

Legend

For ○	For □	For ▼
XJV-E2G15	XJV-E2.5G15	XJV-E3G15
XJV-E2G20	XJV-E2.5G20	XJV-E3G20
XJV-E2.5G22	XJV-E3G22	

Repair Kits

Water Seal Kit 2582		Valve Kit 2581		Pistons Kit 2593		Oil Seals Kit 2511	
Pos.	Qty.	Pos.	Qty.	Pos.	Qty.	Pos.	Qty.
38	3	26	3	50	3	43	3
40	3	37	3			44	1
41	3					56	1
42	3						
55	3						

Unloader Kit Kit 2594			
Pos.	Qty.	Pos.	Qty.
1	1	10	1
2	1	11	1
3	1	12	1
4	1	13	1
5	2	14	1
6	1	15	2
7	1	16	1
8	1	17	1
9	1	18	1

