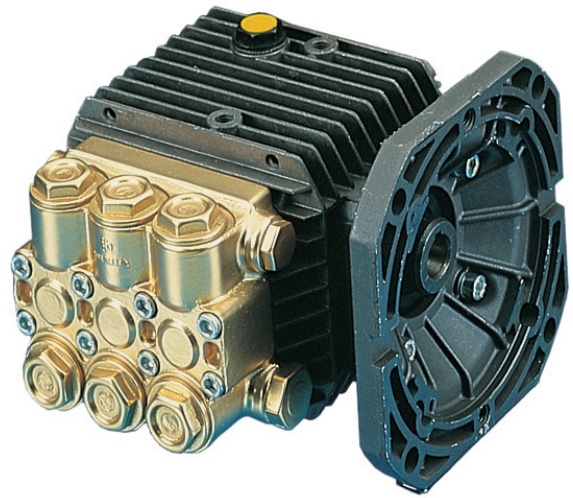


FEATURES

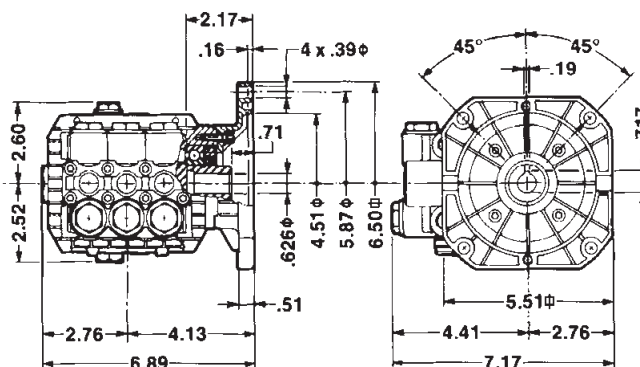
- Forged brass manifold with exclusive lifetime warranty
- Die cast, anodized aluminum, oil-bath crankcase
- Solid ceramic plungers with continuously lubricated packings
- The original Interpump unitized, stainless steel, K01 inlet and outlet valves
- Ideal for all general cleaning , RO, and misting applications
- Comes standard with NEMA 56C electric motor mounting flange
- Also available in “L” left-handed versions



SPECIFICATIONS

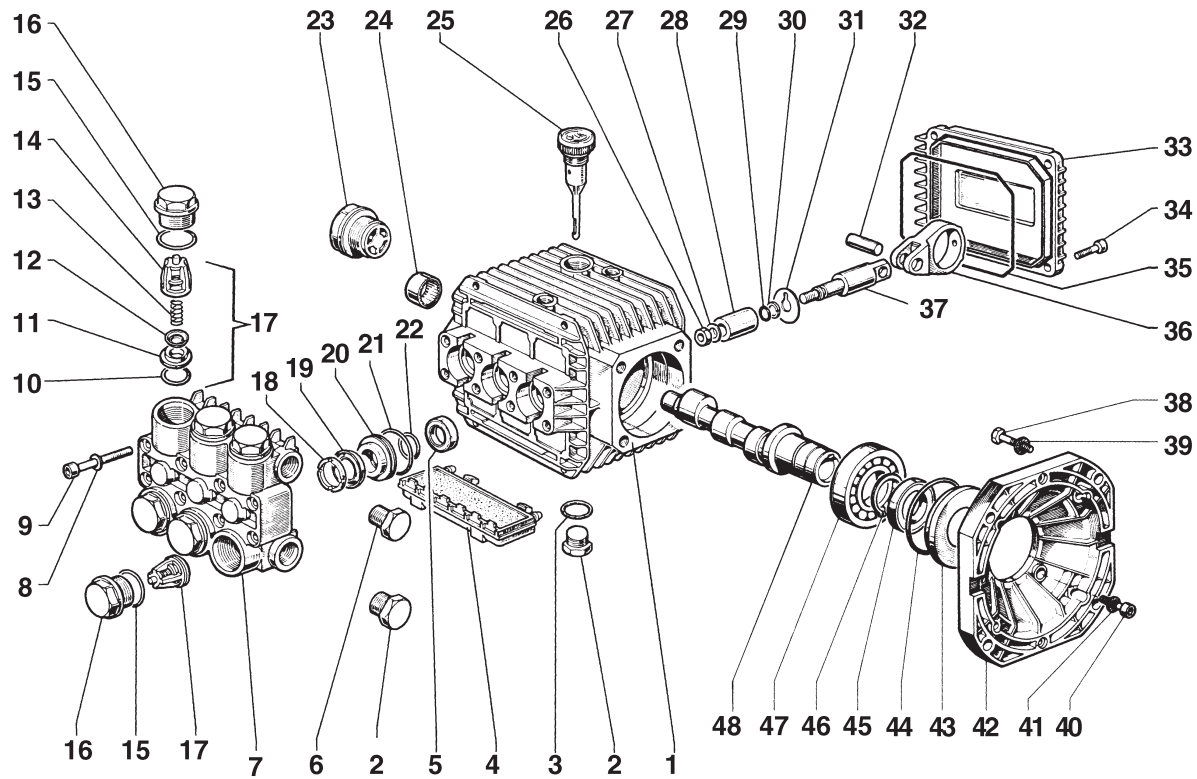
| Pump Model | TT1505EBF | T9051EBF | TT9111EBF | TT9061EBF | TT9071EBF | TT2021EBF | TT2028EBF | TT2035EBF |
|----------------------------|--------------------------|------------|------------|-----------|------------|-----------|------------|---------------|
| Maximum Volume | 0.5 GPM | 2.11 GPM | 3.0 GPM | 2.11 GPM | 2.8 GPM | 2.1 GPM | 2.8 GPM | 3.5 GPM |
| Maximum Discharge Pressure | 1500 PSI | | | | | 2000 PSI | | |
| Maximum Pump Speed | 1750 RPM | | | 3400 RPM | | | | |
| Maximum Inlet Pressure | 125 PSI | | | | | | | |
| Maximum Inlet Vacuum | 3 ft. water (2.6 in. Hg) | | | | | | | |
| Bore (in./mm) | .709 / 18 | .591 / 15 | .709 / 18 | .591 / 15 | | | | |
| Stroke (in./mm) | .079 / 2 | .370 / 9.4 | .370 / 9.4 | 1.97 / 5 | .260 / 6.6 | 1.97 / 5 | .260 / 6.6 | .315 / 8 |
| Crankcase Oil Capacity | 11.2 oz. | | | | | | | |
| Maximum Fluid Temperature | 165°F | | | | | | | |
| Inlet Port Thread | 3/8-19 BSPP-F | | | | | | | |
| Discharge Port Thread | 1/4-19 BSPP-F | | | | | | | |
| Shaft Diameter | 5/8 in. / 16 mm | | | | | | | 3/4 in./19 mm |
| Weight | 11.5 lbs. | | | | | | | |
| Dimensions | 7.0 x 7.2 x 5.5 in. | | | | | | | |

DIMENSIONAL DRAWING



TT Series 51 – EBF

GENERAL PUMP *A member of the Interpump Group*



PARTS LIST

| ITEM | PART NO. | DESCRIPTION | QTY. | ITEM | PART NO. | DESCRIPTION | QTY. | ITEM | PART NO. | DESCRIPTION | QTY. |
|------|----------|--------------------------|------|------|----------|------------------------|------|------|----------|-----------------------------|------|
| 1. | 51010622 | Crankcase | 1 | 19. | 90262000 | Packing, 15mm | 3 | 34. | 99186700 | Screw, M6 x 18 | 4 |
| 2. | 98210000 | Plug, 3/8-BSPP | 2 | 20. | 90268100 | Packing, 18mm | 3 | 35. | 90391700 | Gasket | 1 |
| 3. | 90383300 | O-Ring | 1 | 20. | 51080070 | Packing Retainer, 15mm | 3 | 36. | 51030022 | Connecting Rod End | 3 |
| 4. | 51209102 | Protector | 1 | | 51080370 | Packing Retainer, 18mm | | 37. | 51050056 | Piston Guide | 3 |
| 5. | 90156500 | Oil Seal | 3 | 21. | 90360400 | O-Ring, | 3 | 38. | 99334500 | Screw, 3/8-BSPP | 4 |
| 6. | 98204100 | Plug | 1 | 22. | 90383500 | O-Ring, 15mm | 3 | 39. | 96710400 | Washer, M10, Schnorr | 4 |
| 7. | 51120023 | Manifold, Aluminum, 15mm | 1 | | 90384300 | O-Ring, 18mm | | 40. | 99186700 | Screw, M6 x 18 | 4 |
| | 51120041 | Manifold, Brass, 15 mm | | 23. | 97596800 | Sight Gauge | 1 | 41. | 96693800 | Washer, M6.4, Schnorr | 4 |
| | 51120441 | Manifold, Brass, 18 mm | | 24. | 91801500 | Needle Bearing | 1 | 42. | 10034422 | Flange | 1 |
| 8. | 96693800 | Washer, M6.4 | 12 | 25. | 98210300 | Oil Dip Stick | 1 | 43. | 50211551 | Spacer | 1 |
| 9. | 99194300 | Screw, M6 x 40 | 12 | 26. | 92221600 | Nut, M8 | 3 | 44. | 90409700 | O-Ring | 1 |
| 10. | 90384100 | O-Ring | 6 | 27. | 96700800 | Washer, M8 | 3 | 45. | 90164400 | Oil Seal | 1 |
| 11. | 36200366 | Valve Seat | 6 | 28. | 51040009 | Plunger (15 mm) | 3 | 46. | 90066700 | Snap Ring | 1 |
| 12. | 36200176 | Valve Plate | 6 | | 51040109 | Plunger (18 mm) | | 47. | 20283521 | Bearing | 1 |
| 13. | 94737600 | Spring | 6 | 29. | 90357200 | O-Ring | 3 | 48. | 51022265 | Crankshaft (TT1505) | 1 |
| 14. | 36200251 | Valve Cage | 6 | 30. | 90502200 | Back-up Ring | 3 | | 51020835 | Crankshaft (TT9061, TT2021) | |
| 15. | 90384700 | O-Ring | 6 | 31. | 96707000 | Washer, Flinger | 3 | | 51021535 | Crankshaft (T9051, TT9111) | |
| 16. | 98221800 | Valve Cap | 6 | 32. | 97731000 | Connecting Rod Pin | 3 | | 51020935 | Crankshaft (TT9071, TT2028) | |
| 17. | 36703201 | Valve Assembly | 6 | 33. | 51160022 | Crankcase Cover | 1 | | 51021835 | Crankshaft (TT2035) | |
| 18. | 51100051 | Head Ring, 15mm | 3 | | | | | | | | |
| | 51100151 | Head Ring, 18mm | | | | | | | | | |

REPAIR KITS

| KIT NO. | 1 | 83 | 84 | 86 (15mm) | 96 (15mm) | 97 (15mm) | 139 (18mm) | 140 (18mm) | 141 (18mm) |
|--------------------------------------|--------------------------|----|--------|--------------|--------------------|----------------|---------------|--------------------|----------------|
| ITEM NO.s INCLUDED IN KIT | 10, 11, 12, 6, 7, 8 (17) | 5 | 15, 16 | 20, 21, 22 | 18, 19, 20, 21, 22 | 18, 19, 21, 22 | 20, 21, 22 | 18, 19, 20, 21, 22 | 18, 19, 21, 22 |
| NUMBER OF ASSEMBLIES IN KIT | 6 | 3 | 6 | 3 | 1 | 3 | 3 | 1 | 3 |
| NUMBER OF CYLINDERS KIT WILL SERVICE | 3 | 3 | 3 | 3 | 1 | 3 | 3 | 1 | 3 |

TORQUE SPECS*

| Position | Ft.-lbs. |
|----------|----------|
| 2 | 29.4 |
| 6 | 14.7 |
| 9 | 8.8 |
| 16 | 33.1 |
| 23 | 13.2 |
| 26 | 11.0 |
| 34 | 7.3 |
| 38 | 22.1 |
| 40 | 7.3 |
| 49 | 14.7 |
| 52 | 7.3 |

*Decrease torque by 20% if threads are lubricated.

