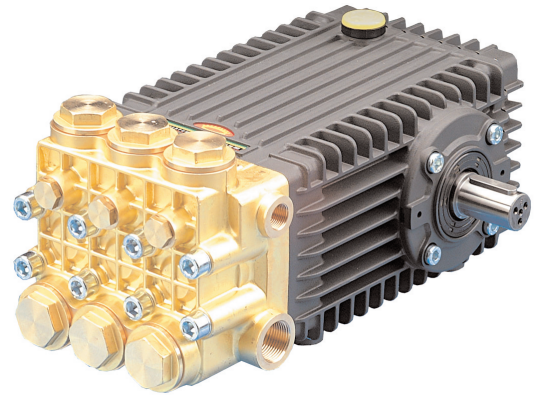


FEATURES

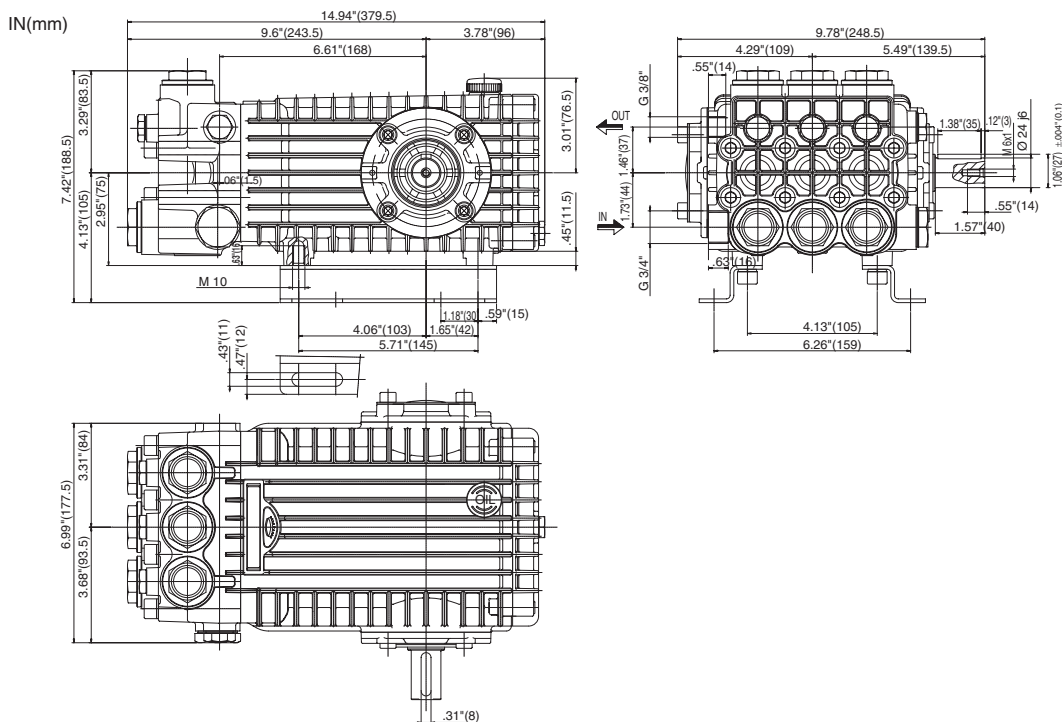
- Oversized roller bearings
- Fully anodized crankcase
- Innovative new seal design extends seal life
- New plunger design improves “thermal shock” resistance
- New valve cap design improves hydrostatic performance



SPECIFICATIONS

Pump Model	TSF2019	TSF2019 Alternate Spec	TSF2021	TSF2021 Alternate Spec	TSF2219	TSF2219 Alternate Spec	TSF2221	TSF2221 Alternate Spec
Maximum Volume	7.6 GPM	6.3 GPM	8.5 GPM	7 GPM	9.3 GPM	7.7 GPM	10.2 GPM	8.5 GPM
Max. Discharge Pressure	3600 PSI				3000 PSI			
Horsepower	18.7 BHP	15.5 BHP	21 BHP	17.3 BHP	19.1 BHP	15.8 BHP	21 BHP	17.5 BHP
Maximum Pump Speed	1750 RPM	1450 RPM	1750 RPM	1450 RPM	1750 RPM	1450 RPM	1750 RPM	1450 RPM
Maximum Inlet Pressure	125 PSI							
Maximum Inlet Vacuum	9 ft. water / 7.9 in. Hg							
Bore	.787 in. / 20 mm				.866 in. / 22 mm			
Stroke	.748 in. / 19 mm		.826 in. / 21 mm		.472 in. / 19 mm		.826 in. / 21 mm	
Crankcase Oil Capacity	31.0 oz.							
Max. Fluid Temperature	165°F							
Inlet Port Thread	3/4"-14 BSP-F							
Discharge Port Thread	3/8"-19 BSP-F							
Shaft Diameter.	.945 in. / 24 mm							
Weight	40.7 lbs. / 18.5 kg							
Dimensions	13.27 x 9.6 x 6.23 in.							

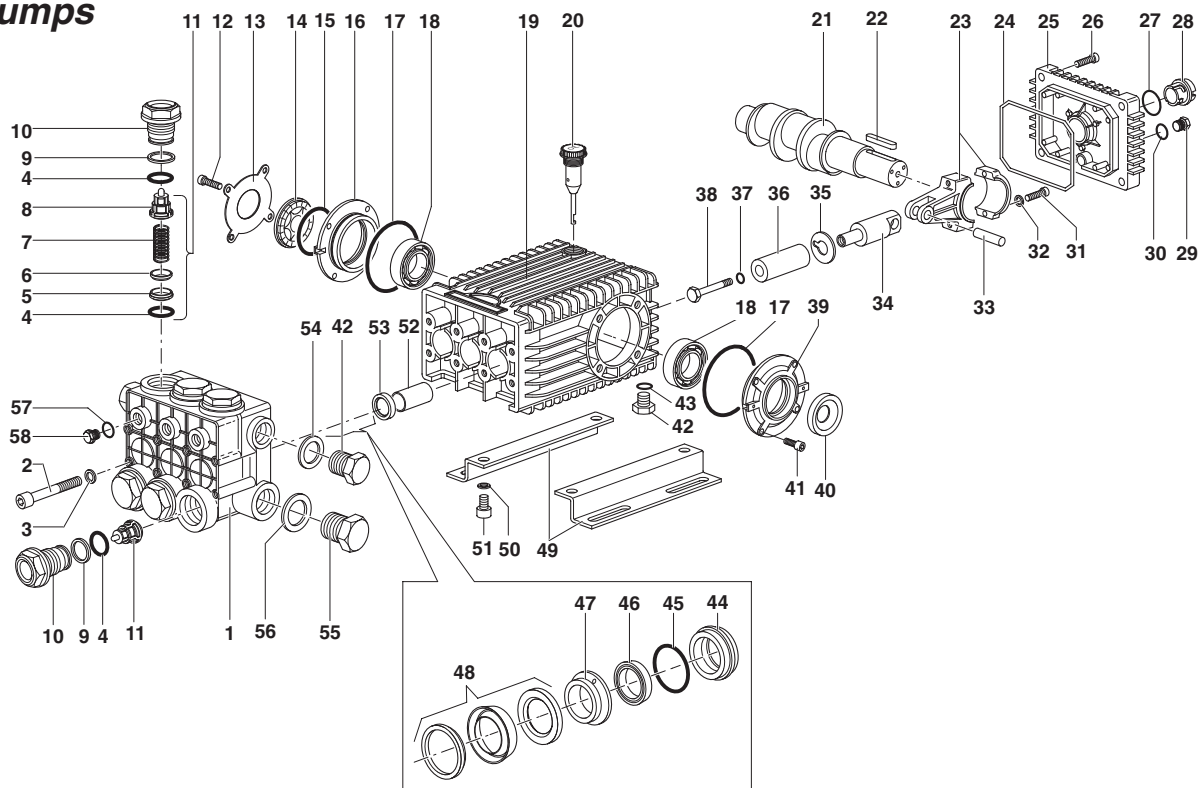
DIMENSIONAL DRAWING



66 Series

Triplex Pumps

GENERAL PUMP A member of the Interpump Group



PARTS LIST

ITEM	PART NO.	DESCRIPTION	KIT	QTY.	ITEM	PART NO.	DESCRIPTION	KIT	QTY.	ITEM	PART NO.	DESCRIPTION	KIT	QTY.
1.	66120041	Manifold 20mm		1	22.	91489200	Key		1	44.	66080170	Seal Retainer 22mm	K173	3
	66120141	Manifold 22mm		1	23.	66030001	Connecting Rod		3		66080070	Seal Retainer 20mm	K171	3
2.	99380100	Headbolt M10 x 90		8	24.	90392200	O-ring		1	45.	90361600	O-ring	K173, K171	3
3.	96710400	Washer M10		8	25.	66160000	Cover, Crankcase		1	46.	90271500	LP Seal 22mm	K172, K173	3
4.	90385700	O-ring	K169	12	26.	99188400	Screw M6 x 20		4		90269000	LP Seal 20mm	K170, K171	3
5.	36203366	Valve Seat	K169	6	27.	90405100	O-ring		1	47.	66216170	Intermediate Ring 22mm	K173	3
6.	36203476	Valve Poppet	K169	6	28.	63210051	Sightglass, Bayonet style		1		66216070	Intermediate Ring 20mm	K171	3
7.	94738800	Valve Spring	K169	6	29.	98204100	Plug 1/4 x 9		1	48.	90271700	HP Seal 22mm	K172, K173	3
8.	36203551	Valve Guide	K169	6	30.	701013	O-ring		1		90269200	HP Seal 20mm	K170, K171	3
9.	90516500	Anti-ext ring		6	31.	99309900	Screw M8 x 35		6	49.	47200074	Pump Rail		2
10.	66130041	Valve Cap		6	32.	96701400	Locking Washer M8		6	50.	96710600	Washer M10		4
11.	36712701	Valve Assy., Complete	K169	6	33.	97740500	Wrist Pin		3	51.	99364400	Screw M10 x 18		4
12.	99306900	Screw M8 x 25		4	34.	66050064	Piston Guide		3	52.	90912600	Guide Bushing		3
13.	66150274	Cover		1	35.	96710100	Flinger Washer		3	53.	90162500	Seal, Plunger Rod	K02	3
14.	44211801	Sightglass		1	36.	66040109	Plunger 22mm		3	54.	96738000	Gasket, Aluminum 3/8"		1
15.	90409700	O-ring		1		66040009	Plunger 20mm		3	55.	98226500	Plug 3/4" x 16		1
16.	66150122	Side Cover		1	37.	90358400	O-ring		3	56.	96770000	Gasket, Aluminum 3/4"		1
17.	701147	O-ring		2	38.	66219566	Plunger Bolt		3	57.	701013	O-ring		3
18.	91838000	Bearing		2	39.	66150022	Side Cover, PTO		1	58.	98204300	Plug 1/4" x 13		3
19.	66010022	Crankcase		1	40.	90164800	Seal, Shaft	K03	1					
20.	98210600	Dipstick, vented		1	41.	99303900	Screw M8 x 16		4					
21.	66020435	Crankshaft TSF2019 TSF2219		1	42.	98210000	Plug 3/8 x 13		2					
	66020035	Crankshaft TSF2021 TSF2221		1	43.	90383300	O-ring		1					

REPAIR KITS

Kit	K02	K03	K169	K170	K171	K172	K173
Model	All	All	All	20mm		22mm	
Item included	53	40	4,5,6,7,8 (11)	46,48	44,45,46,47,48	46,48	44,45,46,47,48
Qty req'd	1	1	1	1	3	1	3

TORQUE SPECS*

Pos.	N-M	Ft.-lbs.
2	45	33.2
10	130	95.9
12	20	14.8
26	10	7.4
29	20	14.8
31	20	14.8
38**	20	14.8
41	20	14.8
42	40	29.5
51	40	29.5
55	70	51.6
58	40	29.5

*Decrease torque by 20% if threads are lubricated.
**Use Loctite 542

