

FEATURES

- The preferred pump frame in the pressure cleaning industry
- Forged brass manifold with an exclusive lifetime warranty
- Large-capacity, die-cast, anodized aluminum oil-bath crankcase
- Over-sized connecting rods for maximum life
- Heavy-duty tapered roller bearing.
- Solid ceramic plungers with continuously lubricated packings
- Unitized stainless steel inlet and discharge valves
- Available in left-handed "L" version

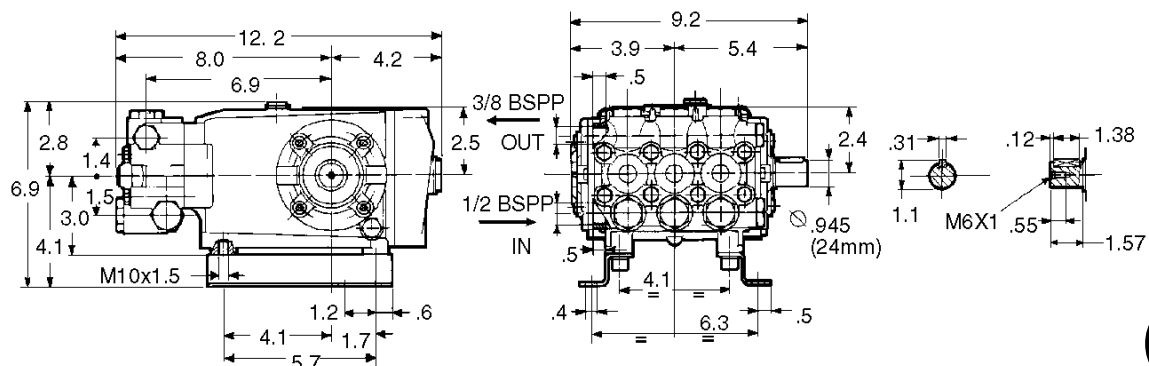


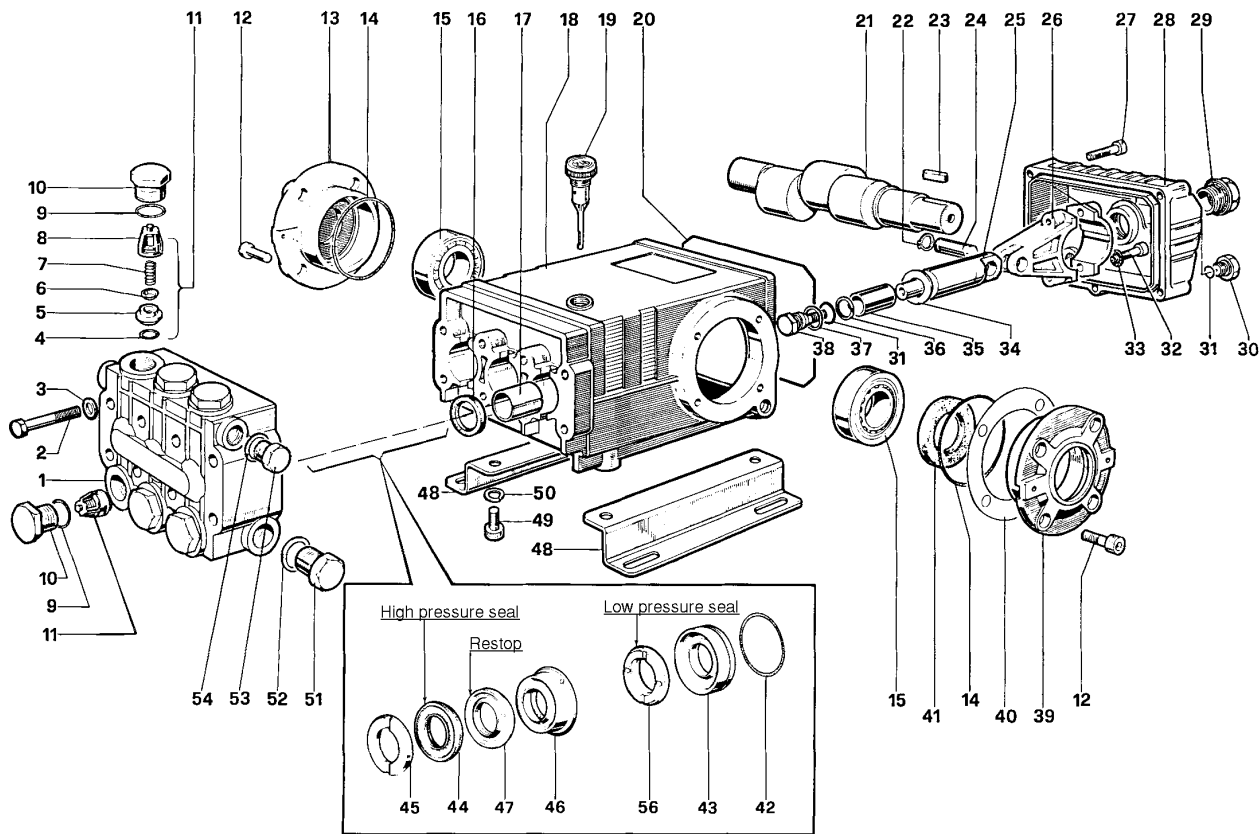
SPECIFICATIONS

Pump Model	TS1331		TS1711	T9211-N
Maximum Volume (GPM)	3.5	4.0	3.5 GPM	4.0 GPM
Max. Discharge Pressure (PSI)	2100	2000	2700 PSI	3000 PSI
Maximum Pump Speed (RPM)	1450	1750	1450 RPM	1750 RPM
Maximum Inlet Pressure	125 PSI			
Maximum Inlet Vacuum	9 ft. water (7.9 in. Hg)			
Bore	.787 in. / 20 mm			
Stroke	.394 in. / 10 mm			
Crankcase Oil Capacity	33.8 oz		40.6 oz..	
Maximum Fluid Temperature	165°F			
Inlet Port Thread	1/2-14 BSPP-F			
Discharge Port Thread	3/8-19 BSPP-F			
Shaft Diameter.	.945 in. / 24 mm			
Weight	32 lbs.			
Dimensions	12.2 x 9.2 x 6.9 in.			

N=Nickel-plated manifold

DIMENSIONAL DRAWING





PARTS LIST

ITEM PART NO.	DESCRIPTION	KIT NO.	QTY.	ITEM PART NO.	DESCRIPTION	KIT NO.	QTY.	ITEM PART NO.	DESCRIPTION	KIT NO.	QTY.
1. 47120841	Manifold		1	19. 98210600	Oil Dip Stick		1	37. 96728000	Washer	6	3
47120941	Manifold, Nickel-Plated (T9211-N)		1	20. 90392200	O-Ring, Cover		1	38. 47219566	Screw, Plunger	6	3
2. 99320600	Screw, M8 x 70		8	21. 47021435	Crankshaft		1	39. 47150022	Cover, Crankcase		1
3. 96702000	Washer, M8.4		8	22. 90055700	Ring, Snap		6	40. 97567800	Shim		2
4. 90384100	O-Ring, .674 x .103	1	6	23. 91489000	Key		1	41. 90164800	Seal, Oil	3	1
5. 36200366	Seat, Valve	1	6	24. 97738000	Pin, Wrist		3	42. 90361600	O-Ring, 1.364 x .070	10, 28	3
6. 36200176	Plate, Valve	1	6	25. 47050554	Guide, Plunger		3	43. 47080570	Retainer, Packing	10, 28	3
7. 94737600	Spring	1	6	27. 99191200	Screw, M6 x 30		5	44. 90270500	Packing	28, 69	3
8. 36200251	Guide, Valve	1	6	99183700	Screw, M6 x 14 (TS1331)		5	45. 47100051	Ring, Head, M20	7, 28	3
9. 90384700	O-Ring, .797 x .103	4, 5	6	28. 47160122	Cover, Crankcase		1	46. 47216970	Intermed. Ring	28, 71	3
10. 98222000	Cap	4	6	47160022	Cover, Crankcase (TS1331)		1	47. 90270400	Restop Ring	28, 69, 71	3
11. 36703201	Valve Assembly	1	6	29. 97596800	Oil Indicator		1	48. 47200074	Pump Feet		2
12. 99303900	Screw, M8 x 16		8	30. 98204100	Cap		1	49. 99364400	Screw, M10 x 18		4
13. 47150122	Cover, Crankcase		1	31. 90358500	O-Ring, .426 x .070	6	4	50. 96710600	Washer, M10.2		4
14. 90391300	O-Ring, 2.675 x .103		2	32. 99309900	Screw, M8 x 35		6	51. 98217600	Cap		1
15. 640047	Bearing, Roller		2	33. 96701400	Washer, M8.4		6	52. 96751400	Washer, M21.5		1
16. 90162500	Seal, Oil	2	3	34. 96728600	Washer, M14	6	3	53. 98210000	Cap		1
17. 90912600	Bushing		3	35. 47040409	Plunger, (20 mm)		3	54. 96738000	Washer, M17.5		1
18. 47010522	Crankcase		1	36. 90506700	Ring, Back-up	6	3	56. 90271000	Seal, Low Press., 20mm	28, 69	3

REPAIR KITS

KIT NO.	1	2	3	4	5	6	7	10	28	69	71
ITEM NO.s INCLUDED IN KIT	4, 5 6, 7, 8 (11)	16	41	9, 10	9, 10	31, 34, 36, 37, 38	45	42, 43	42, 43, 44, 45, 46, 47, 56	44, 47, 56	46, 47
NUMBER OF ASSEMBLIES IN KIT	6	3	2	6	6	3	6	3	1	3	3
NUMBER OF CYLINDERS KIT WILL SERVICE	3	3	-	3	3	3	3	3	1	3	3

TORQUE SPECS*

Position	Ft.-lbs.
2	22.1
10	73.7
12	14.7
27	7.3
29	13.2
30	14.7
32	14.7
38	14.7
49	29.4
51	29.4
53	29.4

*Decrease torque by 20% if threads are lubricated.